

Litesphere Drop 2.0 Installation Instructions



Warnings and Safety

- Please verify the contents of the package!
- Please read instructions before starting the installation.
- Make sure the power is off before installing or modifying the system.
- Call Tivoli LLC tech support with any questions.
- This product is designed to work with listed Class 2, 12V DC transformers only. Use of any other power source will cause damage, shorten the life of the fixture, and will void the warranty.
- Consult any local and national codes for installation.
- Follow basic safety precautions when dealing with any luminaire application to reduce the risk of fire, electrical shock, and/or personal injuries. This lighting system should be installed by a certified professional.

- **Do not** use this product for other than its intended use.
- **Do not** cover any luminaire as the covering may cause it to overheat.
- **Do not** install this lighting system where the exposed bare contacts can be shorted or contact any conductive material to reduce the risk of fire and burns.
- **Do not** install any luminaire closer than 6 inches (15.25cm) from any curtain, or similar combustible material.
- **Do not** use any luminaire if damaged, such as a broken globe, loose connections, or frayed wire insulation. Inspect periodically.
- **Do not** submerge any luminaire in liquid. Use waterproof connectors for all outdoor applications.
- **Do not** secure any luminaire with staples, nails or like means that might damage the wire insulation. Secure it by using screws through the base.
- **Do not** run any luminaire at an operating temperature exceeding 65° C or 149° F.
- **Do not** let lamps rest on any wires.
- **Do not** hang objects from light string wires or extension cord.
- **Do not** route Light String through walls, doorways, windows or building structures. Do not close doors or windows on product wire as damage will result.
- **Do not** cover lamps with cloth, paper or any material that is not part of the product.
- **Do not** install in enclosed spaces, such as soffits, cabinets or in ceilings.

Litesphere Drop 2.0 Installation Instructions

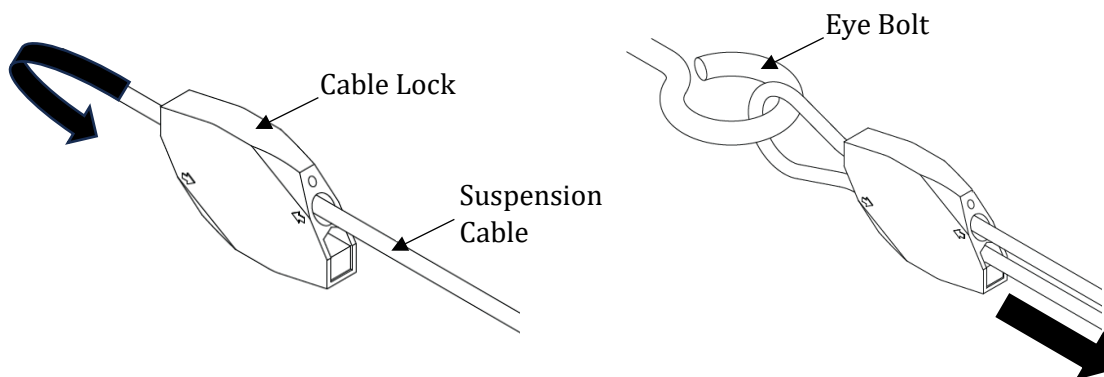


Determine Run Length

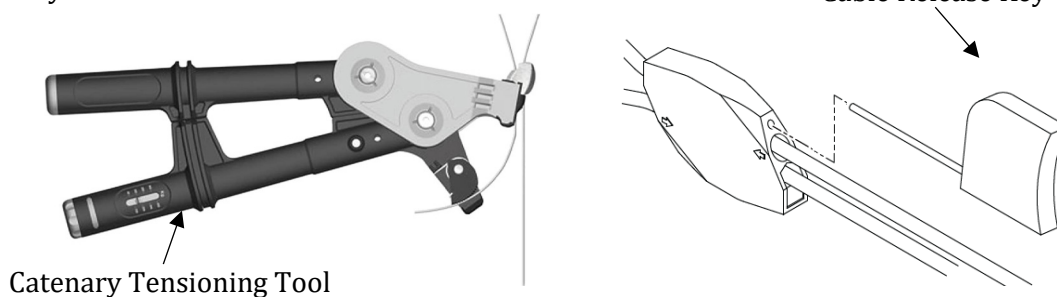
1. Determine the maximum run length of the run, the number of full-length strands needed, and the number of partially cut strands needed.
 - a. The full length strands are sold in a 50-foot standard length.
 - b. The cut, unused portion of the strand cannot be used and must be discarded.
 - c. For example, a 120-foot run length will require two 50-foot standard length strands, and a 20-foot strand cut from a standard length strand.
2. Install an end cap (**LSD-EC-PK20**, available separately) over the cut end of the partially cut strand by applying a drop of silicone inside the end cap.

Suspension Cable Installation

3. Attach eyebolts or other mounting hardware to the structural supports that will hold the catenary cable.
4. The catenary cable is rated for hanging loads up to 200 lbs. and 800 lbs. of pulling tension.
5. Insert suspension cable into the cable following the direction of the arrow on the cable lock.
6. Loop the suspension cable through the mounted eye bolt or other mounting hardware and insert the cable back through the cable lock.



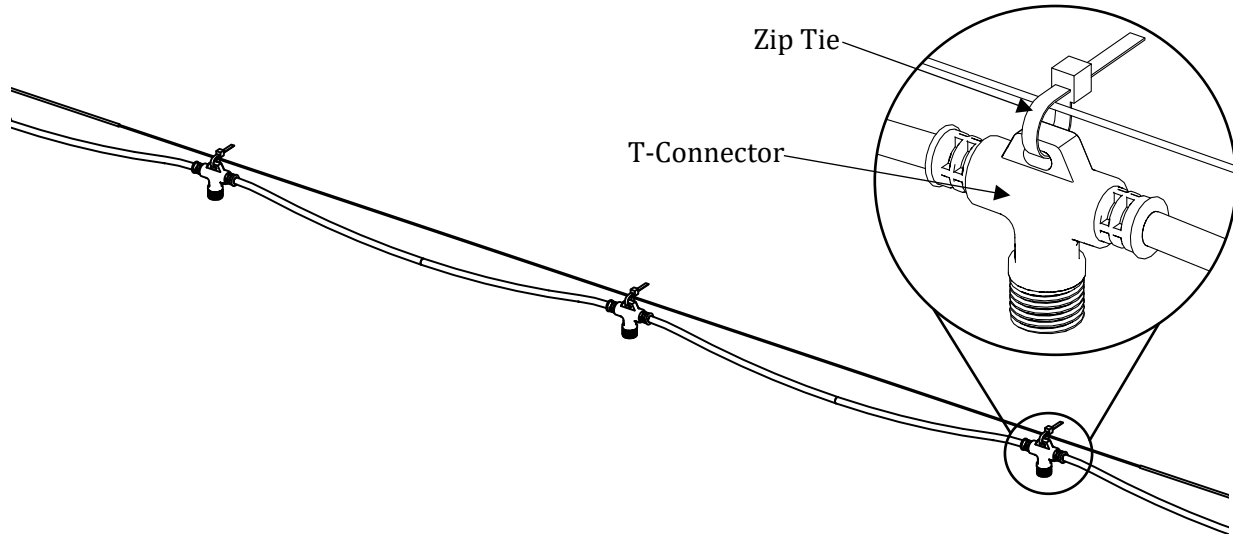
7. You can tighten the suspension cable using a catenary tensioning tool or loosen the cable using a cable release key on the cable lock.



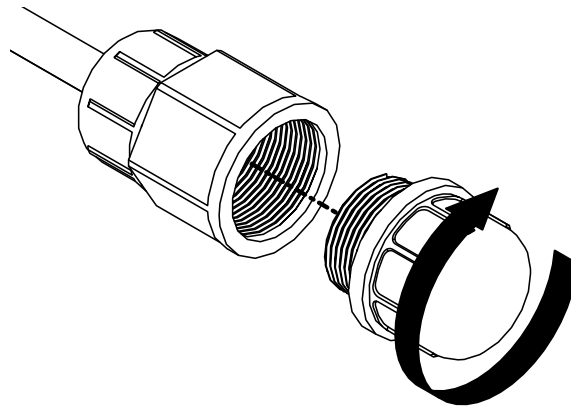
Litesphere Drop 2.0 Installation Instructions



8. Attach the strand to the suspension using zip ties. The zip ties should loop through the T-connector of the stand and around the suspension cable.



9. Close the trail end of the full length strand using the end cap.



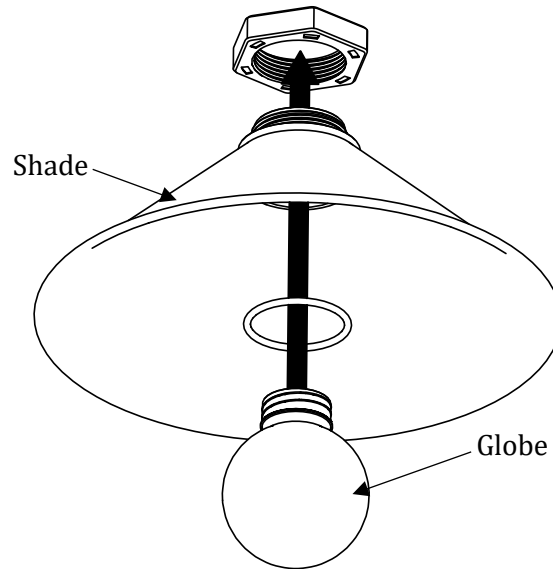
Litesphere Drop 2.0 Installation Instructions



Shade Installation (Optional)

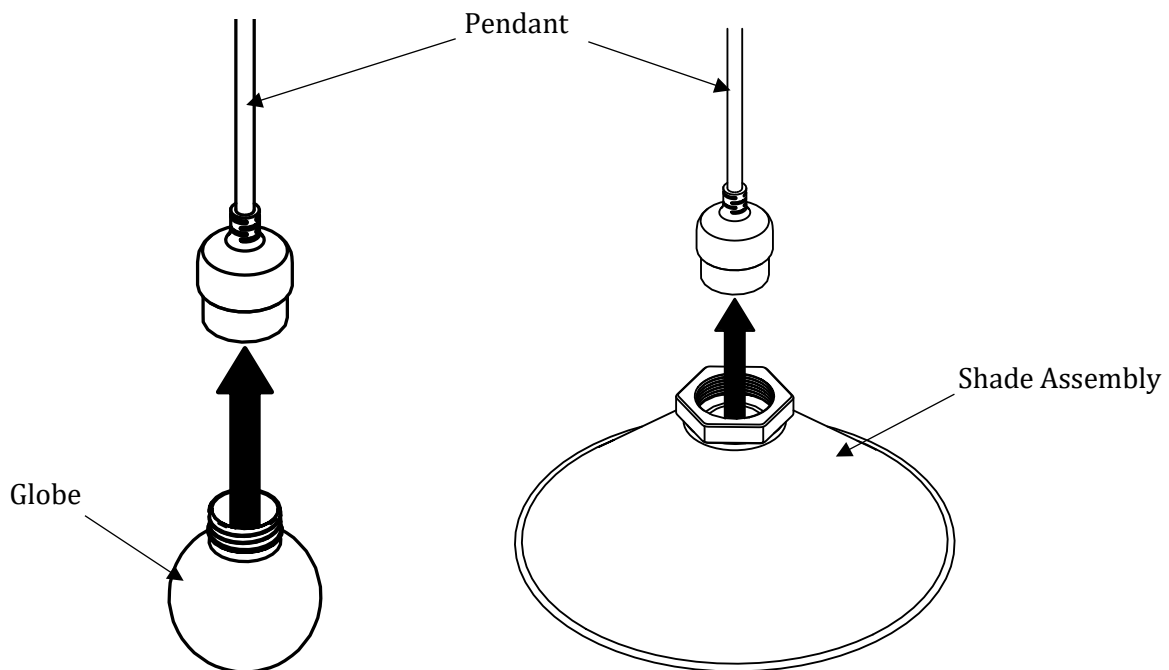
Skip this step if no shades will be used.

10. Create the shade assembly by placing the shade in between the gasket and nut and tightening the assembly.



Globe/Pendant Installation

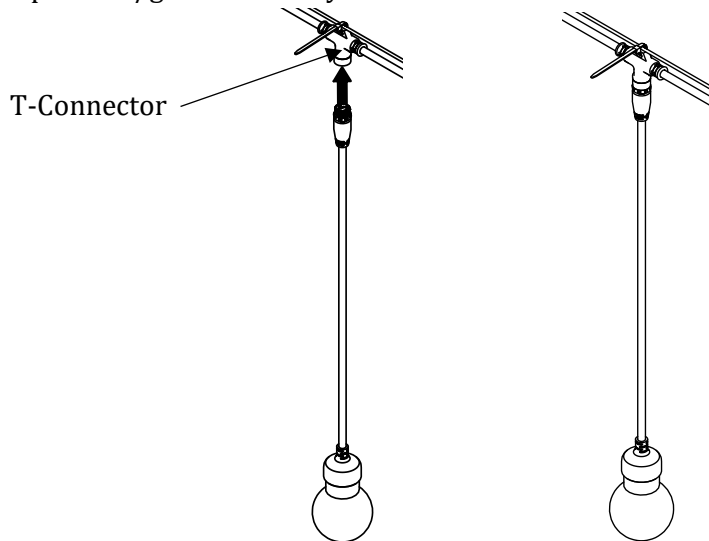
11. Attach the globe or shade assembly to the pendant.



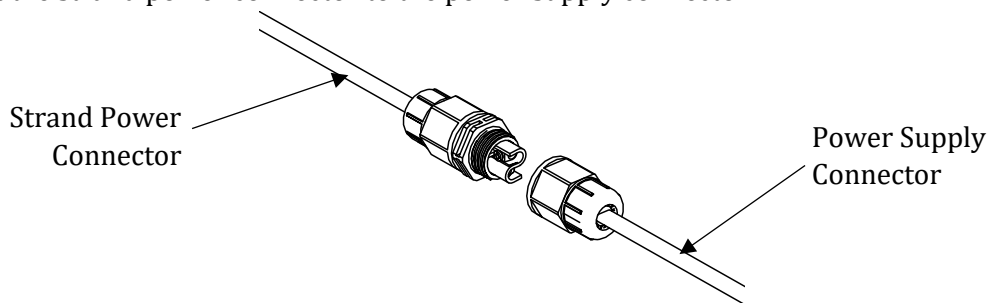
Litesphere Drop 2.0 Installation Instructions



12. Attach the pendant/globe assembly to each T-connector on the strand.



13. Connect the strand power connector to the power supply connector.



14. Connect the power lead wire to the appropriate 12V DC power supply.

NOTE: There are many possible options for powering the light engine. The following wiring diagram is for reference only. See the specification sheet and related power supply specification sheets for more information and detailed wiring instructions.

